

### FEATURES

- Small compact sized valves particularly designed for hot water and steam, compatible with the seal materials used
- Lightweight stamped steel pistons giving all-round support to resilient, tight seal discs
- Valves require a minimum operating pressure of 0,35 bar
- All products are covered by the Pressure Equipment Directive 97/23/EC and are suitable for group 1 and 2 fluids
- The solenoid valves satisfy all relevant EC Directives

### GENERAL

**Differential pressure** See «SPECIFICATIONS» [1 bar = 100 kPa]  
**Response time** 40 - 120 ms

fluids (*)	temperature range (TS)	seal materials (*)
hot water, steam	- 20°C to + 150°C	EPDM (ethylene-propylene)
steam	- 20°C to + 184°C	PTFE

### MATERIALS IN CONTACT WITH FLUID

(\*) Ensure that the compatibility of the fluids in contact with the materials is verified

<b>Body</b>	Brass
<b>Core tube</b>	Stainless steel
<b>Core and plugnut</b>	Stainless steel
<b>Springs</b>	Stainless steel
<b>Seat</b>	Brass
<b>Seals</b>	EPDM
<b>Discs</b>	EPDM or PTFE
<b>Shading coil</b>	Copper

### ELECTRICAL CHARACTERISTICS

<b>Coil insulation class</b>	F (EPDM disc) or H (PTFE disc)
<b>Connector</b>	Spade plug (cable Ø 6-10 mm)
<b>Connector specification</b>	ISO 4400 / EN 175301-803, form A
<b>Electrical safety</b>	IEC 335
<b>Electrical enclosure protection</b>	Moulded IP65 (EN 60529)
<b>Standard voltages</b>	DC (=) : 24V - 48V AC (~) : 24V - 48V - 115V - 230V / 50 Hz

(Other voltages and 60 Hz on request)

prefix option	power ratings				operator ambient temperature range (TS) (C°)	replacement coil		type <sup>(1)</sup>
	inrush ~	holding ~		hot/cold =		~	=	
	(VA)	(VA)	(W)	(W)		230 V/50 Hz	24 V DC	
SC	55	23	10,5	-	-20 to + 40	400425-117	-	01 (class F)
	44	20	10,5	-	-20 to + 40	400426-117	-	01 (class H)
	-	-	-	12/16,8	-20 to + 40	-	400625-142	02

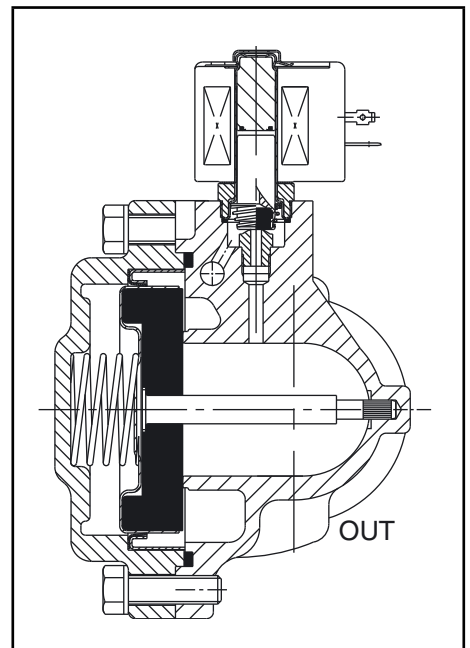
<sup>(1)</sup> Refer to the dimensional drawings on the following page.

### SPECIFICATIONS

pipe size	orifice size	flow coefficient Kv		operating pressure differential (bar)				max. fluid temp. (°C)		power coil (W)		catalogue number	
				min.	max. (PS)		max.						
					steam (*)	water (*) <sup>(2)</sup>							
Rp	(mm)	(m³/h)	(l/min)										
				~	=	~	=	~	=	~	=		
<b>NC - Normally closed, EPDM disc</b>													
3/8	16	2,6	43	0,35 <sup>(3)</sup>	3,5	-	10	-	150	-	10,5	-	SCE220A001
1/2	16	3,5	58	0,35 <sup>(3)</sup>	3,5	-	10	-	150	-	10,5	-	SCE220A003
3/4	19	4,3	72	0,35 <sup>(3)</sup>	3,5	-	10	-	150	-	10,5	-	SCE220A005
1	25	11,6	193	0,35	3,5	3,5	10	10	150	150	10,5	16,8	SCE220-007
1 1/4	28	12,8	213	0,35	3,5	3,5	10	10	150	150	10,5	16,8	SCE220-009
1 1/2	32	19,5	325	0,35	3,5	3,5	10	10	150	150	10,5	16,8	SCE220-011
2	44	37	617	0,35	3,5	3,5	10	10	150	150	10,5	16,8	SCE220-013
<b>NC - Normally closed, PTFE disc</b>													
3/8	16	2,6	43	0,35 <sup>(3)</sup>	10	-	10	-	184	-	10,5	-	SCE220A019
1/2	16	3,5	58	0,35 <sup>(3)</sup>	10	-	10	-	184	-	10,5	-	SCE220A021
3/4	19	4,3	72	0,35 <sup>(3)</sup>	10	-	10	-	184	-	10,5	-	SCE220A023
1	25	11,6	193	0,35	10	-	10	-	184	-	10,5	-	SCE220-025
1 1/4	28	12,8	213	0,35	10	-	10	-	184	-	10,5	-	SCE220-027
1 1/2	32	19,5	325	0,35	10	-	10	-	184	-	10,5	-	SCE220-029
2	44	37	617	0,35	10	-	10	-	184	-	10,5	-	SCE220-031

<sup>(2)</sup> Water temperature should not exceed 100°C.

<sup>(3)</sup> Once opened, valve remains open till differential pressure 0 kPa is reached.



### OPTIONS

- Waterproof enclosure with embedded screw terminal coil according to protection class IP67, CEE-10
- Compliance with "UL", "CSA" and other local approvals available on request
- Coils according to "CSA/SA" standards
- Mounting brackets, suffix MB
- Other pipe connections are available on request
- Plug with visual indication and peak voltage suppression or with cable length of 2 m (see Solenoids, Coils & Accessories section)

### INSTALLATION

- The solenoid valves can be mounted in any position without affecting operation
- Pipe connection identifier is E = Rp (ISO 7/1)
- Installation/maintenance instructions are included with each valve

### SPARE PARTS KIT & ACCESSORIES

catalogue number	spare parts kit no.		mounting bracket no.
	~	=	
SCE220A001/003	<b>C310635</b>	-	<b>038713-000</b>
SCE220A005	<b>C310716</b>	-	<b>038713-000</b>
SCE220-007/-009	<b>C304394</b>	<b>C132651</b>	-
SCE220-011	<b>C304395</b>	<b>C132652</b>	-
SCE220-013	<b>C304943</b>	<b>C132653</b>	-
SCE220A019/021	<b>C312712</b>	-	<b>038713-000</b>
SCE220A023	<b>C312702</b>	-	<b>038713-000</b>
SCE220-025/-027	<b>C304392</b>	-	-
SCE220-029	<b>C304393</b>	-	-
SCE220-031	<b>C306807</b>	-	-

- Not available.

### ORDERING EXAMPLES:

<b>SC</b>	<b>E</b>	<b>220 A</b>	<b>001</b>	230V / 50 Hz
<b>SC</b>	<b>E</b>	<b>220 -</b>	<b>007</b>	115V / 50 Hz
<b>SC</b>	<b>E</b>	<b>220 -</b>	<b>009</b>	24V / DC
<b>SC</b>	<b>E</b>	<b>220 A</b>	<b>023</b>	230V / 50 Hz

prefix — pipe thread — basic number — voltage — suffix

### ORDERING EXAMPLES KITS:

<b>C310635</b>	
<b>C132651</b>	

basic number — suffix

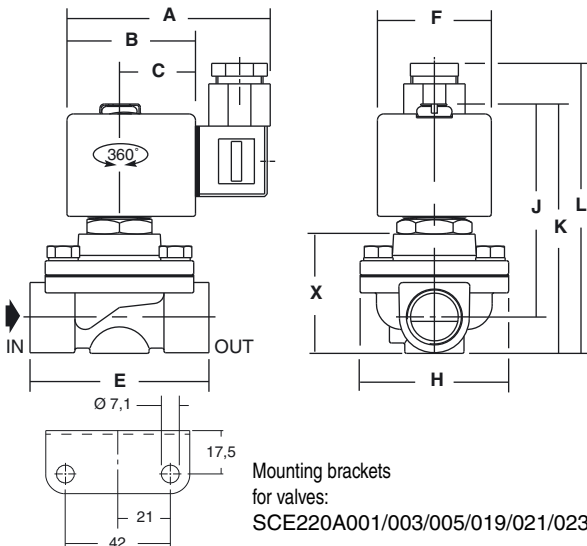
### DIMENSIONS (mm), WEIGHT



#### TYPE 01

Prefix "SC" Solenoid  
Epoxy moulded  
IEC 335 / ISO 4400  
IP65

SCE220A001/003/005/019/021/023

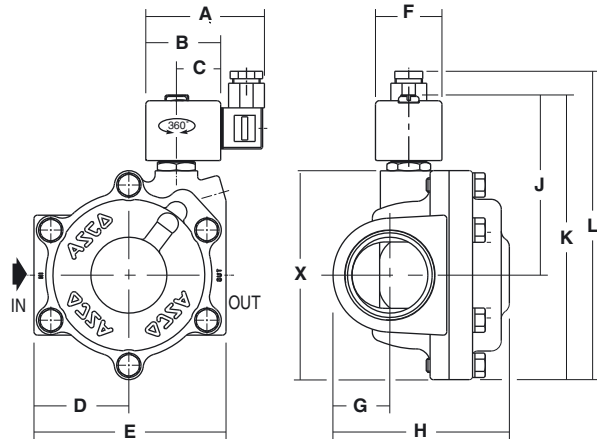


#### TYPE 01-02

Prefix "SC" Solenoid  
Epoxy moulded  
IEC 335 / ISO 4400  
IP65

Type 01 (AC) : SCE220-007/009/011/013/025/027/029/031

Type 02 (DC) : SCE220-007/009/011/013



type	prefix option	catalogue number	A	B	C	D	E	F	G	H	J	K	L	X	weight <sup>(1)</sup>
01	SC	SCE220A001/003/019/021	80	50	30	-	70	45	-	58	88	102	119	53	0,9
		SCE220A005/023	80	50	30	-	73	45	-	58	92	109	122	59	1,0
		SCE220-007/025	80	50	30	47	95	45	25	78	106	147	162	98	1,8
		SCE220-009/027	80	50	30	46	93	45	29	89	106	147	162	98	2,1
		SCE220-011/029	80	50	30	55	111	45	33	104	110	160	175	111	2,8
		SCE220-013/031	80	50	30	64	129	45	38	119	120	190	205	141	4,6
02	SC	SCE220-007	86	56	33	47	95	50	25	78	96	137	152	98	2,1
		SCE220-009	86	56	33	46	93	50	29	89	96	137	152	80	2,2
		SCE220-011	86	56	33	55	111	50	33	104	100	150	165	93	2,9
		SCE220-013	86	56	33	64	129	50	38	119	110	180	195	123	4,7

<sup>(1)</sup> including coil and connector.